



TITAN FLOW CONTROL, INC.

SILENT CHECK VALVES ♦ THREADED ENDS

175/400 WOG ♦ BRASS BODY ♦ BUNA-N SEAT

MODEL: CV 20-BZ

BRASS BODY WITH BUNA-N SEAT

1/4" TROUGH 4"

(1/4" ~ 2" 400 WOG) / (2 1/2" ~ 4" 175 WOG)



FEATURES

- ◇ IN-LINE, SPRING ASSISTED DISC DESIGNED TO PROTECT THE SYSTEM FROM THE EFFECTS OF WATER HAMMER
- ◇ CAN BE INSTALLED IN ANY POSITION - VERTICAL (WITH UPWARD FLOW ONLY) OR HORIZONTAL
- ◇ SOFT SEAT (BUNA-N) ENSURES BUBBLE-TIGHT SHUTOFF
- ◇ LOW CRACKING PRESSURE (.5 PSI) - DESIGNED TO FULLY OPEN AT 1.0 PSI DIFFERENTIAL
- ◇ FLOW PROFILE DESIGNED TO MINIMIZE HEAD LOSS
- ◇ PERFECT SEALING AT BOTH HIGH AND LOW PRESSURES OFFERS WIDE TEMPERATURE RANGE
- ◇ HIGH TECHNOLOGY MATERIALS TO ENSURE BEST RESISTANCE IN ANY CONDITION
- ◇ PATENTED DISC GUIDE
- ◇ NSF 61 CERTIFIED WITH BUNA-N SEAT

TECHNICAL

PRESSURE/TEMPERATURE RATING

SIZES: 1/4" ~ 2"

WOG: 400 PSI @ 100 °F

MAX LIQUID: 365 PSI @ 210 °F

MAX STEAM: Not Recommended

SIZES: 2 1/2" ~ 4"

WOG: 175 PSI @ 100 °F

MAX LIQUID: 150 PSI @ 210 °F

MAX STEAM: Not Recommended

SEAT MATERIAL

BUNA-N: -20 ~ 250 °F

APPLICATIONS

MARKETS: OIL AND GAS PRODUCTION, GENERAL INDUSTRY, CHEMICAL, PETROCHEMICAL, POWER, FOOD AND BEVERAGE.

SERVICE: CHEMICAL/STEAM/NITROGEN LINES, GAS INJECTION, CONDENSATE RECOVERY, PUMP & COMPRESSOR DISCHARGE, PUMP JACK FLOW LINES, CHILLER & BOILER FEED

BUNA-N PROPERTIES: MOST WIDELY USED ELASTOMER. GOOD FOR MOST PETROLEUM OILS AND FLUIDS, SILICONE GREASES AND OILS, AND COLD WATER. EXCELLENT COMPRESSION SET, TEAR, AND ABRASION RESISTANCE. POOR WEATHER RESISTANCE AND MODERATE HEAT RESISTANCE. NOT RECOMMENDED FOR SEVERE OZONE-RESISTANT APPLICATIONS.

The above data represents common market and service applications. No representation or guarantee, expressed or implied, is given due to the numerous variations of concentrations, temperatures and flow conditions that may occur during actual service.

TITAN FLOW CONTROL, INC.

SERVICE ♦ QUALITY ♦ COMMITMENT

Tel: 910-735-0000 ♦ Fax: 910-738-3848 ♦ titan@titanfci.com ♦ www.titanfci.com
290 Corporate Drive ♦ PO Box 7408 ♦ Lumberton, NC 28358



TITAN FLOW CONTROL, Inc.

290 Corporate Drive
Lumberton, NC 28358
Tel: 910.735.0000
Fax: 910.738.3848

E-mail: titan@titanfci.com
Web: www.titanfci.com

IN-LINE • SILENT CHECK VALVE
CENTER GUIDED • THREADED ENDS

MODEL: CV 20-BZ

Brass Body • BUNA-N Seat

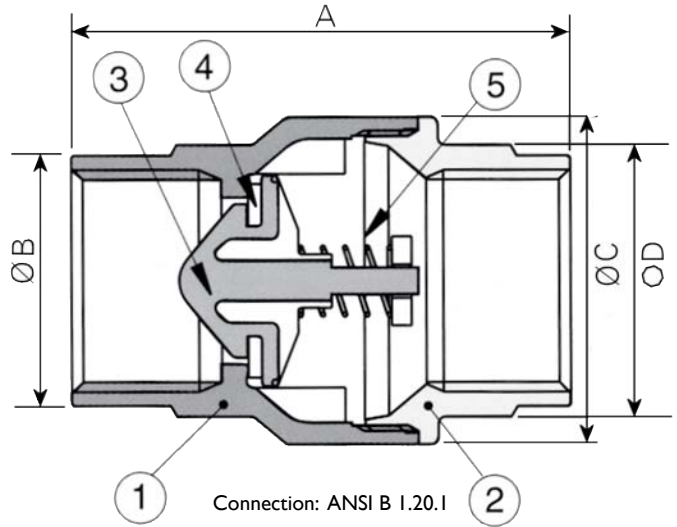
1/4" ~ 2" 400 WOG
2 1/2" ~ 4" 175 WOG

BILL OF MATERIALS ⁽¹⁾

No.	PART	MATERIAL
1	BODY	BRASS
2	END CONNECTION	BRASS
3	CHECK MODULE	POLYETHEREIMIDE
4	SEAT ^{(2) (3)}	BUNA-N
5	SPRING	STEEL 6S

Notes:

1. Bill of Materials represents standard materials. Equivalent or better materials may be substituted at the manufacturer's discretion.
2. Denotes recommended spare parts.
3. Optional Viton Seat is available. Viton seat is recommended for fuels, hydrocarbons, and temperatures up to +320 °F.

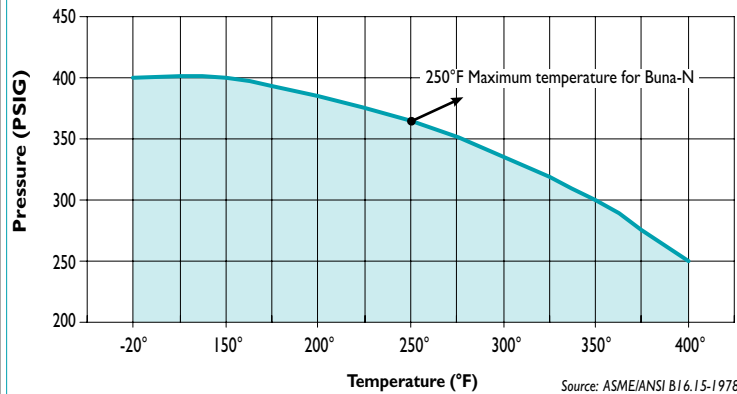


DIMENSIONS AND PERFORMANCE DATA ⁽¹⁾

SIZE	in	1/4	3/8	1/2	3/4	1	1 1/4	1 1/2	2	2 1/2	3	4
	mm	8	10	15	20	25	32	40	50	65	80	100
A DIMENSION FACE TO FACE	in	2.32	2.32	2.32	2.56	2.76	2.93	3.17	3.37	4.37	4.86	5.41
	mm	59	59	59	66	71	75	81	86	111	124	138
ØB DIMENSION END DIAMETER	in	.98	.98	.98	1.20	1.48	1.87	2.10	2.68	3.22	3.84	5.00
	mm	25	25	25	31	38	48	54	69	82	98	127
ØC DIMENSION BODY DIAMETER	in	1.35	1.35	1.35	1.65	1.92	2.40	2.87	3.46	4.39	5.24	6.42
	mm	35	35	35	42	49	61	73	88	112	134	164
OD DIMENSION OCTAGONAL ENDS	in	.98	.98	.98	1.22	1.50	1.89	2.12	2.64	3.27	3.86	5.04
	mm	25	25	25	31	39	49	54	68	84	99	129
ASSEMBLED WEIGHT	lb	.22	.37	.32	.49	.68	1.13	1.61	2.28	4.83	6.70	12.43
	kg	.1	.2	.1	.2	.3	.5	.7	1.0	2.2	3.0	5.6
Flow Coefficient	C _v	4.55	4.55	6.07	10.97	16.92	27.42	39.09	60.68	98.4	158.01	225.46
WOG	psi	400	400	400	400	400	400	400	400	175	175	175
Cracking Pressure	psi	.5	.5	.5	.5	.5	.5	.5	.5	.5	.5	.5

1. Dimensional and performance data is for reference only. When required, request certified drawings.

PRESSURE-TEMPERATURE RATINGS - (BRASS: 1/4" ~ 2" ONLY)



REFERENCED STANDARDS & CODES

CODE	DESCRIPTION
ANSI B1.1	Unified Inch Screw Threads
ANSI B1.20.1	Pipe Threads - General Purpose
ANSI B16.15	Cast Bronze Threaded Fittings

PRESSURE/TEMP RATING

1/4" ~ 2" (400 WOG)

2 1/2" ~ 4" (175 WOG)

WOG: 400 PSI @ 100 °F
MAX LIQUID: 365 PSI @ 210 °F
MAX STEAM: Not Recommended

WOG: 175 PSI @ 100 °F
MAX LIQUID: 150 PSI @ 210 °F
MAX STEAM: Not Recommended

SEAT MATERIAL

BUNA-N: -20 ~ 250 °F

Ordering Code: _____ Size: _____
 Customer/Project: _____
 Inq./P.O. No.: _____
 Titan Order No.: _____
 Certified By: _____ Date: _____



TITAN FLOW CONTROL, INC.
Engineering Specification Submittal

In-line - Centered Guide - Silent Check Valve • Model: CV 20-BZ

Size	Model Number	Description	Drawing Number