

## 3 & 4 Way Multiport Ball Valves Standard & Full Port, 1/4" - 12"

MPT130



MPT230



MPF150



### Multiport Series

Models MPT130  
MPC130

Models MPT230  
MPC230  
MPS230  
MPB230  
MPT240  
MPC240  
MPS240  
MPB240

Models MPF150  
MPF300

Flow-Tek's fully integrated line of multi-port ball valves – the Multiport Series – offers 3 way and 4 way flow control. The Multiport Series valves are available in two different body styles, a compact standard port and a block style full port. Standard port valves are available with NPT Threaded and Quick Clamp end connections. Full port valves are available with NPT Threaded, Quick Clamp, Welded and Flanged end connections. End connections can be mixed on a single valve. Many parts are fully interchangeable between models.

Cost effective Multiport Series ball valves feature multidirectional control combined with shutoff capacity in one valve. Valve duplication and the need for an extra shutoff valve are eliminated.

#### Standard Applications

- Mixing or blending of line medias
- Diversion of flow to different locations
- Bypass of flow around strainers, meters, heat exchangers, etc.
- Direct flow out-of or into storage tanks
- Shutoff flow from different directions

#### Pressure Ratings:

MPT130/MPC130  
1/4"–1 1/4": 1000 psi WOG  
1 1/2"–2": 800 psi WOG  
MPT230/MPC230/MPS230/MPB230  
MPT240/MPC240/MPS240/MPB240  
1/4"–1": 1000 psi WOG  
1 1/4"–4": 800 psi WOG  
MPF150 1/2"–12": ASME Class 150  
MPF300 1/2"–6": ASME Class 300

#### Body Materials:

Stainless Steel and Carbon Steel



**Stem Seals** Multiport Series 1/4"–4" valves all feature a live-loaded stem packing assembly for positive sealing. Utilizing belleville washers, the stem seal automatically adjusts to compensate for changes in temperature and normal wear. The 6"–12" valves utilize an independent packing gland which can be easily adjusted while the valve is still in service. The 1/4"–2" valves also offer primary and secondary stem sealing. The primary seal is a thrust washer and O-ring assembly. The adjustable stem packing creates a secondary seal between the stem and body in the upper stem journal area.

**Four Seat Design** As standard Multiport Series valves are supplied with an additional fourth seat. This seat acts as a self-contained seal to prevent leakage in the cavity area and maintains proper alignment of the ball. The added seat delivers bidirectional control and shutoff combined in one valve – with an OFF position in both T and L port balls. Flow-Tek's seat design ensures bi-directional, bubble-tight sealing with low operating torque.



**Secure Mount** The integrally cast top flange ensures positive actuator mounting. Actuation equipment can be easily and safely removed while the valve is under full line pressure. The mounting flange is designed to ISO 5211 standards with direct flush-mount capabilities. By repositioning the travel stop pin bolt on the mounting flange, all flow patterns are available from the standard valve.



**Ball/Stem:** The ball and stem connection is designed to ensure a positive connection. 1/4"–2" valve stems are pinned, 2 1/2"–12" stems and balls are one-piece with trunnion mounting. All stems offer blow-out proof protection. Balls are precision machined and mirror finished for bubble-tight shutoff with less operating torque. Flow-Tek balls have machined edges to reduce seat wear and provide a high cycle life.

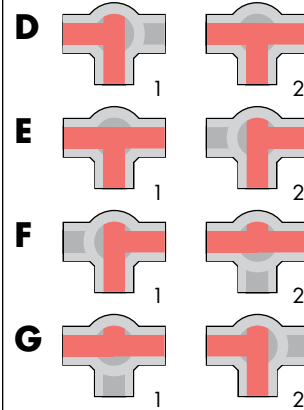
**Interchangeability** Many parts including balls, stems, seats, and stem and body seals are interchangeable between different models of the same size valve.

**Cavity Fillers** Optional cavity fillers are available for Multiport models 230/240 and 150/300 valves. Cavity fillers reduce the possibility of media contamination due to line media fluids becoming entrapped in the void between the ball and the valve body wall.

**Seat Selection** A wide range of seat materials are available to meet most applications. The standard seat is PTFE. Options include RPTFE, TFM and Tek-Fil® (carbon/graphite filled TFM). Tek-Fil seats offer reduced torque in high temperature, high cycle, and steam service applications.

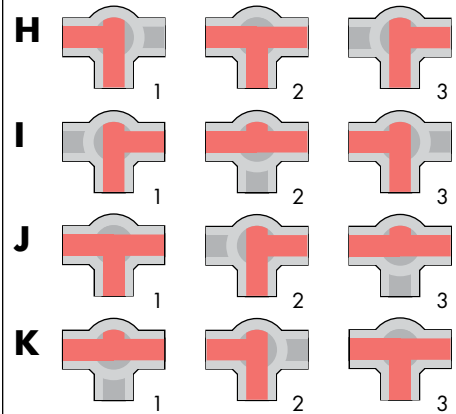
## Features

### T-Port: 90°

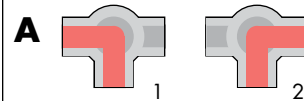


All T Port Flow Patterns are available from one standard ball and can be rearranged in the field.

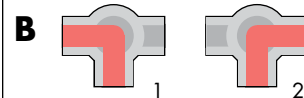
### T-Port: 180°



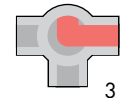
### L-Port: 90°



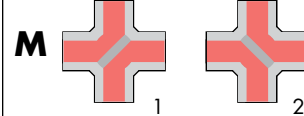
### L-Port: 180°



Off Position

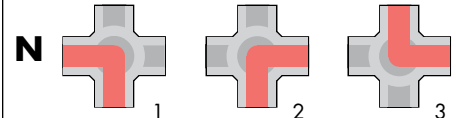


### 4-WAY LL-Port: 90°

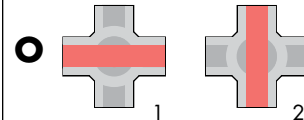


Optional patterns are available using T, L & standard ball. Please consult factory.

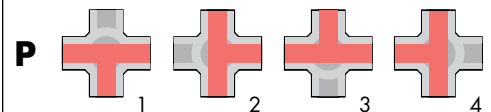
### 4-WAY L-Port: 180°



### 4-WAY: 90°



### 4-WAY: 270°



# Specifications

## All Multiport Series Valves:

Tested in accordance with ASME B16.34.

Vacuum Service to 29 inches Hg.

Valve stems are blow-out proof for maximum safety and meet ASME B16.34 specifications.

Valve conform to CE requirements.

## Specifications

Models MPT130/MPC130

Model MPT130: Threaded NPT Ends

Model MPC130: Quick Clamp Ends

3 Way with L and T Ports

Ports: Standard

Size Range: 1/4" – 2"

Body Material: Stainless Steel

Pressure Ratings:

1/4" – 1-1/4": 1000 psi WOG

1-1/2" – 2": 800 psi WOG

1/4" – 2": 150 psi WSP

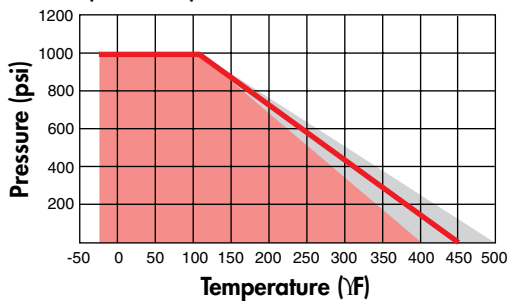
Model MPT130 Threaded end connections meet ASME B1.20.1 NPT.

All valve stems and seats are tested to 100 psi gas closure test for bubble tight integrity before shipping.

## Pressure / Temperature

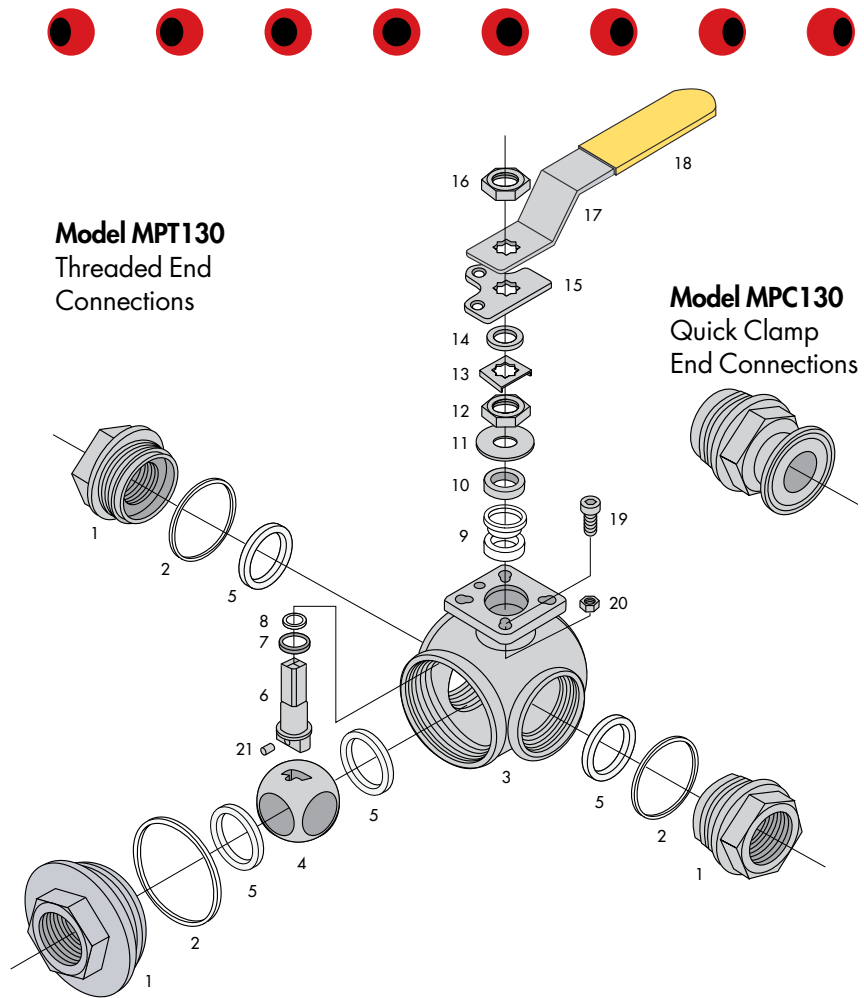
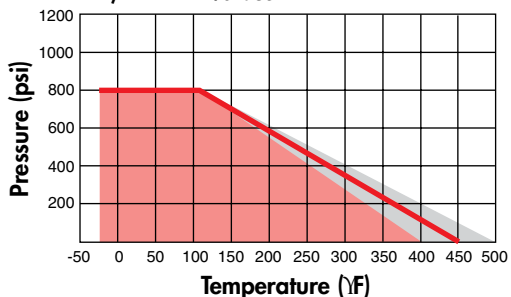
### MPT130/MPC130 Series Valves

#### 1/4" – 1 1/4" Valves



PTFE Tek-Fil  
RPTFE

#### 1 1/2" – 2" Valves



**Model MPT130**  
Threaded End  
Connections

**Model MPC130**  
Quick Clamp  
End Connections

## Components & Materials Models MPT130/MPC130

Item	Name	Stainless Steel	Qty.
1	End Cap	ASTM A351 Gr. CF8M	3
2	Gasket	PTFE	3
3	Body	ASTM A351 Gr. CF8M	1
4	Ball*	ASTM A276 Type 316	1
5	Seat*	PTFE	4
6	Stem*	316 SS	1
7	Thrust Washer*	RPTFE	1
8	O-ring*	Viton	1
9	Stem Packing*	PTFE	1
10	Gland	304 SS	1
11	Belleville Washer	301 SS	2
12	Stem Nut	304 SS	1
13	Lock Saddle	304 SS	1
14	Space Washer	304 SS	1
15	Stop Plate	304 SS	1
16	Handle Nut	304 SS	1
17	Handle	304 SS	1
18	Handle Sleeve	Vinyl	1
19	Stop Pin Bolt	304 SS	1
20	Stop Pin Nut	304 SS	1
21	Pin Insert	304 SS	1

\* These parts are interchangeable with other Multiport models.

# Specifications

230 Models - 3 Way 240 Models - 4 Way

Models MPT230/240: Threaded NPT Ends

Models MPC230/240: Quick Clamp Ends

Models MPS230/240: Socket Weld Ends

Models MPB230/240: Butt Weld Ends

3 Way and 4 Way with L, T and LL Ports

Ports: Full

Size Range: 1/4" – 4"

Body Materials: Stainless Steel  
Carbon Steel

Pressure Ratings

1/4" – 1": 1000 psi WOG

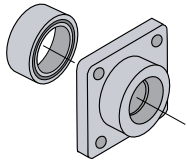
1-1/4" – 4": 800 psi WOG

1/4" – 4": 150 psi WSP

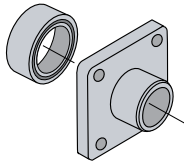
Models MPT230 & MPT240 Threaded end connections meet ASME B1.20.1 NPT.

All valve stems and seats are tested to 100 psi gas closure test for bubble tight integrity before shipping.

Socket Weld



Butt Weld

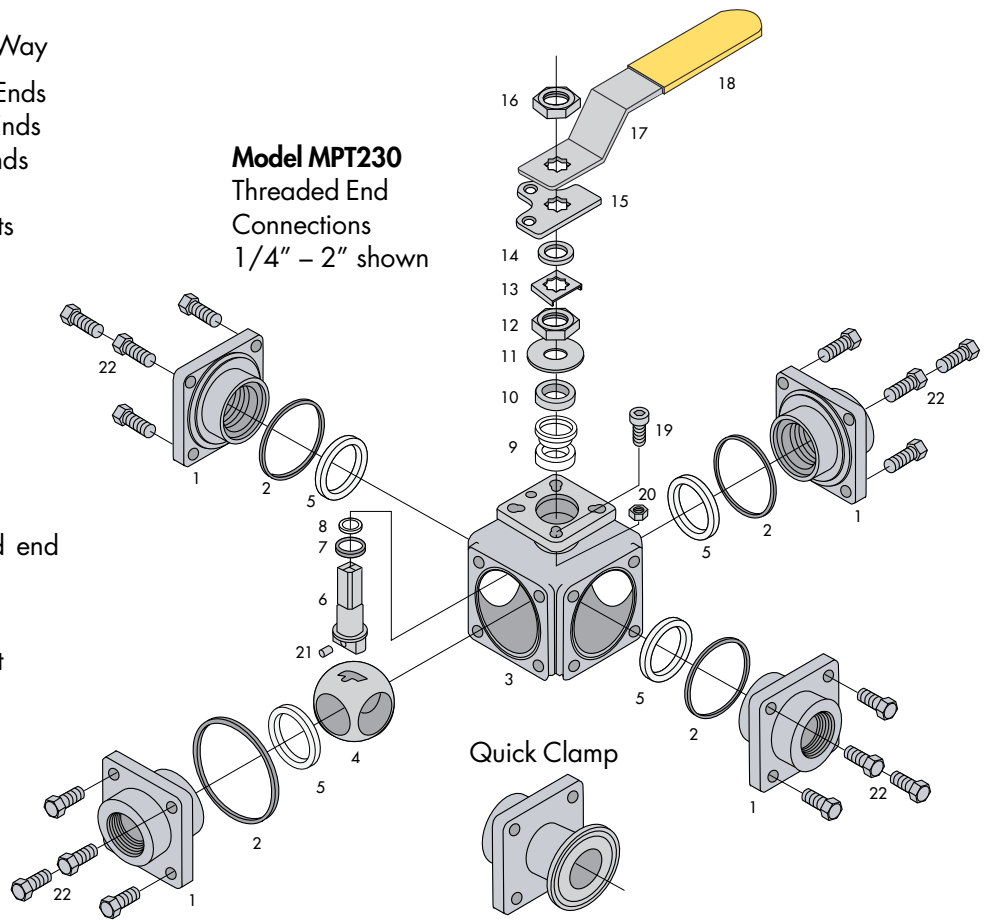


## Model MPT230

Threaded End

Connections

1/4" – 2" shown

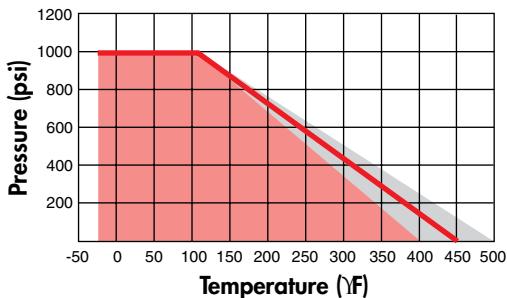


## Pressure / Temperature

MPT230/MPC230/MPS230/MPB230

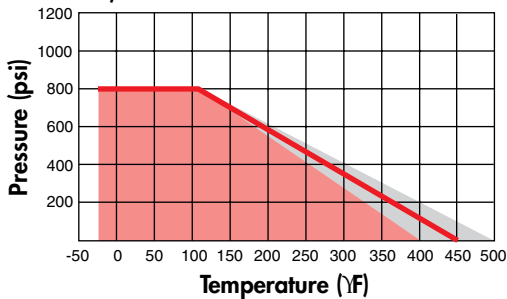
MPT240/MPC240/MPS240/MPB240

1/4" – 1 1/4" Valves



PTFE Tek-Fil  
RPTFE

1 1/2" – 4" Valves



## Components & Materials

Item	Name	Stainless Steel	Carbon Steel	Qty.
1	End Cap	ASTM A351 Gr. CF8M	ASTM A216 Gr. WCB	4
2	Gasket**	PTFE	PTFE	4
3	Body	ASTM A351 Gr. CF8M	ASTM A216 Gr. WCB	1
4	Ball*	ASTM A351 Gr. CF8M	ASTM A351 Gr. CF8M	1
5	Seat*	PTFE	PTFE	4
6	Stem*	316 SS	316 SS	1
7	Thrust Washer*	RPTFE	RPTFE	1
8	O-ring*	Viton	Viton	1
9	Stem Packing*	PTFE	PTFE	1
10	Gland	304 SS	304 SS	1
11	Belleville Washer	301 SS	301 SS	2
12	Stem Nut	304 SS	304 SS	1
13	Lock Saddle	304 SS	304 SS	1
14	Space Washer	304 SS	304 SS	1
15	Stop Plate	304 SS	304 SS	1
16	Handle Nut	304 SS	304 SS	1
17	Handle	304 SS	304 SS	1
18	Handle Sleeve	Vinyl	Vinyl	1
19	Stop Pin Bolt	304 SS	304 SS	1
20	Stop Pin Nut	304 SS	304 SS	1
21	Pin Insert	304 SS	304 SS	1
22	Bolt	ASTM A193 Gr. B8	ASTM A193 Gr. B8	16

\*These parts are interchangeable with other Multiport models.

\*\*These parts are interchangeable with MPF 150/300 models.

# Specifications

Model MPF150 ASME Class 150  
 Model MPF300 ASME Class 300

Models MPF150/MPF300 Flanged Ends  
 3 Way and 4 Way with L, T & LL Ports  
 Ports: Full

Size Ranges: MPF150: 1/2" – 12"  
 MPF300: 1/2" – 6"

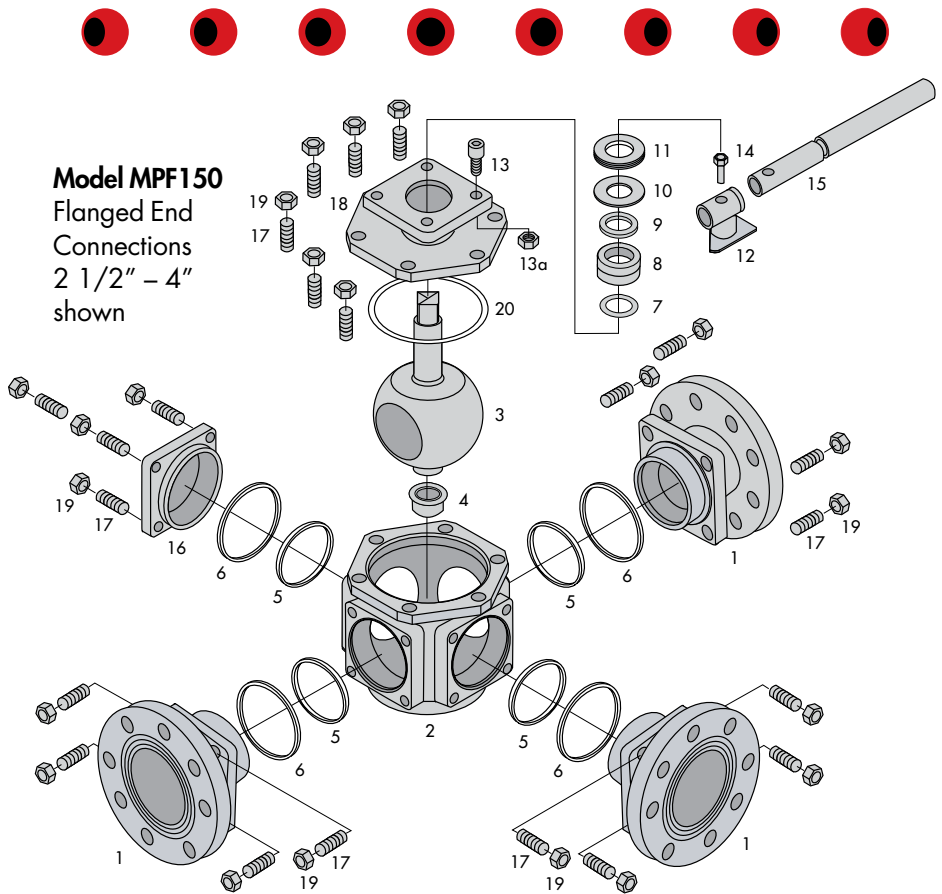
Body Materials: Stainless Steel  
 Carbon Steel

Pressure Ratings  
 ASME Class 150: SS 275 / WCB 285 psi  
 ASME Class 300: SS 720 / WCB 740 psi

Flanged end connections meet  
 ASME B16.5.

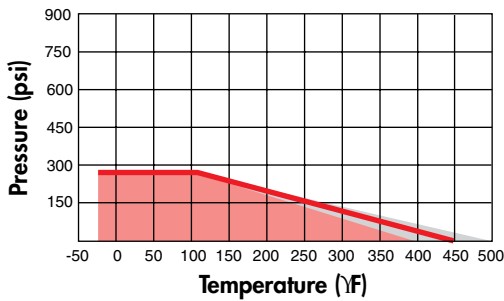
All valve stems and seats are tested to  
 100 psi gas closure test for bubble tight  
 integrity before shipping.

**Model MPF150**  
 Flanged End  
 Connections  
 2 1/2" – 4"  
 shown



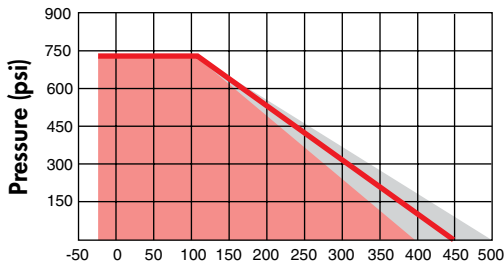
## Pressure / Temperature MPF150/MPF300 Series Valves

### Class 150 Valves



PTFE      Tek-Fil  
 RPTFE

### Class 300 Valves



## Components & Materials

Item	Name	Stainless Steel	Carbon Steel	Qty.
1	End Cap	ASTM A351 Gr. CF8M	ASTM A216 Gr. WCB	3
2	Body	ASTM A351 Gr. CF8M	ASTM A216 Gr. WCB	1
3	Ball & Stem**	ASTM A351 Gr. CF8M	ASTM A351 Gr. CF8M	1
4	Stem Bushing**	50% PTFE/50% 316SS	50% PTFE/50% 316SS	1
5	Seat*	PTFE	PTFE	4
6	Gasket**	PTFE	PTFE	4
7	O-ring*	Viton	Viton	1
8	Stem Packing*	PTFE	PTFE	1
9	Gland	304 SS	304 SS	1
10	Bellelville Washer	301 SS	301 SS	2
11	Packing Nut	304 SS	304 SS	1
12	Handle T-Bar	ASTM A351 Gr. CF8M	ASTM A351 Gr. CF8M	1
13	Stop Pin Bolt	304 SS	304 SS	1
13a	Stop Pin Nut	304 SS	304 SS	1
14	Handle Bolt	304 SS	304 SS	1
15	Handle	Carbon Steel	Carbon Steel	1
16	Blank Cover	ASTM A351 Gr. CF8M	ASTM A216 Gr. WCB	1
17	Threaded Stud	ASTM A193 Gr. B8	ASTM A193 Gr. B8	22/24
18	Bonnet	ASTM A351 Gr. CF8M	ASTM A216 Gr. WCB	1
19	Hex Nut	ASTM A194 Gr. 8	ASTM A194 Gr. 8	22/24
20	Bonnet Gasket	PTFE	PTFE	1

\*These parts are interchangeable with other Multiport models.

\*\*These parts are interchangeable with 2 1/2"–4" MPT230/240 models.

# Dimensions

## Models MPT130/MPC130

Size ins mm	A	A1	øB	C	C1	D	E	F	G	H	H1	H2	H3	øI	øJ	K	L	M	Torque lbs·in Nm
1/4 8	2.83 72	—	0.43 11	1.42 36	—	5.12 130	2.44 62	1.48 37.5	0.43 11	—	—	—	—	1.42 36	1.65 42	0.35 9	0.24 6	0.24 6	127 14.3
3/8 10	2.83 72	—	0.43 11	1.42 36	—	5.12 130	2.44 62	1.48 37.5	0.43 11	—	—	—	—	1.42 36	1.65 42	0.35 9	0.24 6	0.24 6	127 14.3
1/2 15	2.83 72	5.24 133	0.47 12	1.42 36	2.62 66.5	5.12 130	2.44 62	1.48 37.5	0.43 11	0.47 12	0.38 9.6	0.85 21.7	0.98 25	1.42 36	1.65 42	0.35 9	0.24 6	0.24 6	127 14.3
3/4 20	3.27 83	5.59 142	0.59 15	1.63 41.5	2.80 71	5.12 130	2.52 64	1.65 42	0.43 11	0.47 12	0.62 15.8	0.85 21.7	0.98 25	1.42 36	1.65 42	0.35 9	0.24 6	0.24 6	170 19.2
1 25	3.90 99	6.30 160	0.79 20	1.95 49.5	3.15 80	6.50 165	3.23 82	1.93 49	0.55 14	0.79 20	0.87 22.1	1.71 43.5	1.98 50.4	1.65 42	1.97 50	0.43 11	0.24 6	0.28 7.1	212 24.0
1 1/4 32	4.41 112	—	0.98 25	2.20 56	—	6.50 165	3.50 89	2.17 55	0.55 14	—	—	—	—	1.65 42	1.97 50	0.43 11	0.24 6	0.28 7.1	383 43.3
1 1/2 40	4.92 125	7.17 182	1.26 32	2.46 62.5	3.58 91	8.07 205	3.86 98	2.48 63	0.71 18	1.26 32	1.37 34.8	1.71 43.5	1.98 50.4	1.97 50	2.76 70	0.55 14	0.28 7.1	0.36 9.2	563 63.6
2 50	5.87 149	8.50 216	1.50 38	2.93 74.5	4.25 108	8.07 205	4.25 108	2.91 74	0.71 18	1.50 38	1.87 47.5	2.22 56.5	2.52 63.9	1.97 50	2.76 70	0.55 14	0.28 7.1	0.36 9.2	690 78.0

Torque at maximum rated pressure, clean water, PTFE seating material.

### Cv Model MPT130

Size ins mm	1/4 8	3/8 10	1/2 15	3/4 20	1 25	1 1/4 32	1 1/2 40	2 50
90°	0.64	1.4	3.8	7.4	14	22	38	60
180°	0.9	1.9	4.9	9.4	18	27	48	76

### Cv Model MPC130

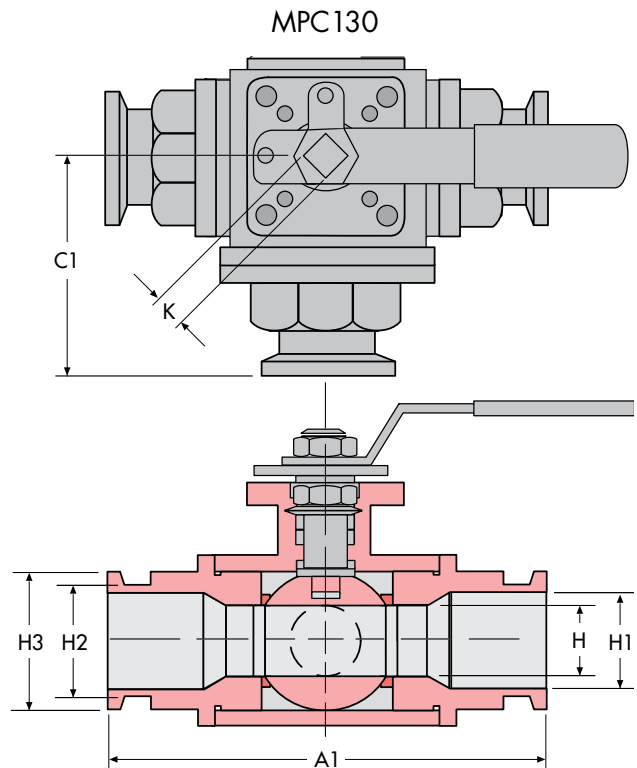
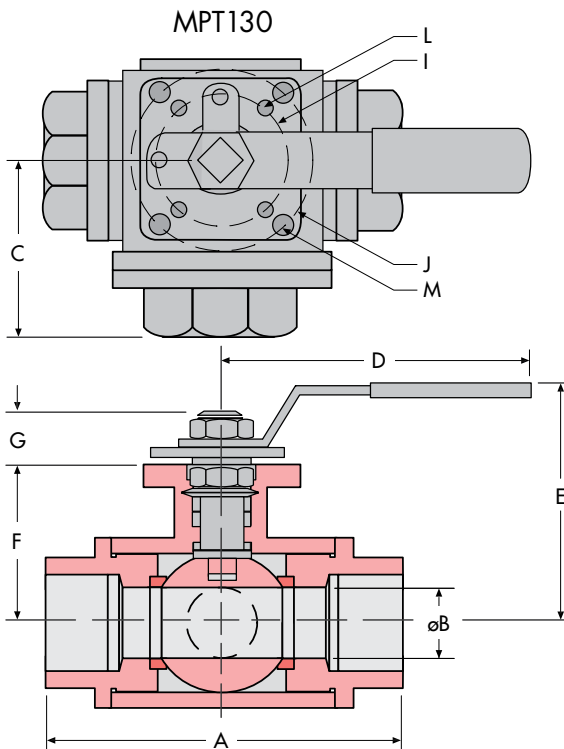
Size ins mm	1/4 8	3/8 10	1/2 15	3/4 20	1 25	1 1/4 32	1 1/2 40	2 50
90°	—	—	1.8	4.6	15	—	40	53
180°	—	—	2.4	5.8	20	—	55	67

### Weight Model MPT130

Size ins mm	1/4 8	3/8 10	1/2 15	3/4 20	1 25	1 1/4 32	1 1/2 40	2 50
lbs	1.5	1.5	1.5	1.9	3.4	4.8	7.5	11.6
kg	0.7	0.7	0.7	0.9	1.5	2.2	3.4	5.3

### Weight Model MPC130

Size ins mm	1/4 8	3/8 10	1/2 15	3/4 20	1 25	1 1/4 32	1 1/2 40	2 50
lbs	—	—	2.0	2.3	4.3	—	8.4	14.1
kg	—	—	0.9	1.0	1.9	—	3.8	6.4



# Dimensions



Models MPT230/MPC230/MPS230/MPB230 MPT240/MPC240/MPS240/MPB240

Size ins mm	A*	A1	øB	C*	C1	D	E	F	G	H	H1	H2	H3	øI	øJ	K	L	M	Torque lbs-in Nm
1/4 8	3.46 88	—	0.43 11	1.73 44	—	5.12 130	2.44 62	1.52 38.5	0.43 11	—	—	—	—	1.42 36	1.65 42	0.35 9	0.24 6	0.24 6	160 18.1
3/8T 1/2C	3.46 88	5.24 133	0.43 11	1.73 44	2.62 66.5	5.12 130	2.44 62	1.52 38.5	0.43 11	0.47 12	0.38 9.6	0.85 21.7	0.98 25	1.42 36	1.65 42	0.35 9	0.24 6	0.24 6	160 18.1
1/2T 3/4C	4.13 105	5.59 142	0.59 15	2.07 52.5	2.80 71	5.12 130	2.52 64	1.61 41	0.43 11	0.59 15	0.62 15.8	0.85 21.7	0.98 25	1.42 36	1.65 42	0.35 9	0.24 6	0.24 6	180 20.3
3/4T 20	4.41 112	—	0.79 20	2.19 55.5	—	6.50 165	3.23 82	1.93 49	0.55 14	—	—	—	—	1.65 42	1.97 50	0.43 11	0.24 6	0.28 7.1	234 26.4
1 25	5.04 128	6.30 160	0.98 25	2.52 64	3.15 80	6.50 165	3.50 89	2.17 55	0.55 14	0.98 25	0.87 22.1	1.71 43.5	1.98 50.4	1.65 42	1.97 50	0.43 11	0.24 6	0.28 7.1	425 48
1 1/4 32	5.51 140	—	1.25 31.8	2.76 70	—	8.07 205	3.86 98	2.48 63	0.71 18	—	—	—	—	1.97 50	2.76 70	0.55 14	0.28 7.1	0.36 9.2	637 72
1 1/2 40	6.30 160	7.17 182	1.50 38	3.15 80	3.58 91	8.07 205	4.25 108	2.91 74	0.71 18	1.5 38	1.37 34.8	1.71 43.5	1.98 50.4	1.97 50	2.76 70	0.55 14	0.28 7.1	0.32 9.2	722 82
2 50	7.56 192	8.50 216	1.97 50	3.78 96	4.25 108	12.80 325	5.51 140	3.66 93	0.91 23	1.97 50	1.87 47.5	2.22 56.5	2.52 63.9	2.76 70	4.02 102	0.67 17	0.36 9.2	0.45 11.4	1594 180
2 1/2 65	11.57 294	9.50 241.3	2.44 62	5.79 147	4.75 120.7	15.75 400	7.87 200	4.69 119	0.98 25	2.44 62	2.37 60.2	2.78 70.6	3.05 77.4	4.02 102	—	0.87 22	0.43 11	—	1487 168
3 80	12.48 317	11.00 279.4	2.99 76	6.24 158.5	5.50 139.7	19.69 500	8.27 210	5.39 137	0.98 25	2.99 76	2.87 72.9	3.28 83.3	3.58 91	4.02 102	—	0.87 22	0.43 11	—	2656 300
4 100	14.53 369	13.00 330.2	3.78 96	7.26 184.5	6.50 165.1	25.59 650	9.06 230	6.18 157	0.98 25	3.78 96	3.83 97.4	4.34 110.3	4.69 119	4.02 102	—	0.87 22	0.43 11	—	3398 384

## CV Models MPT/MPS/MPB – 230 & 240

Torque at maximum rated pressure, clean water, PTFE seating material.

Size ins mm	1/4 8	3/8 10	1/2 15	3/4 20	1 25	1 1/4 32	1 1/2 40	2 50	2 1/2 65	3 80	4 100
90°	0.64	1.4	8.1	15	24	40	65	106	171	255	409
180°	0.9	1.9	11	21	33	54	92	147	240	356	561

## CV Models MPC – 230 & 240

Size ins mm	1/4 8	3/8 10	1/2 15	3/4 20	1 25	1 1/4 32	1 1/2 40	2 50	2 1/2 65	3 80	4 100
90°	—	—	1.8	8.2	14	—	40	85	147	214	458
180°	—	—	2.4	11	19	—	54	117	205	296	652

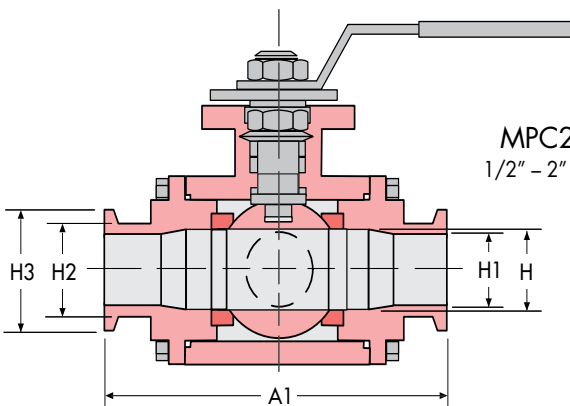
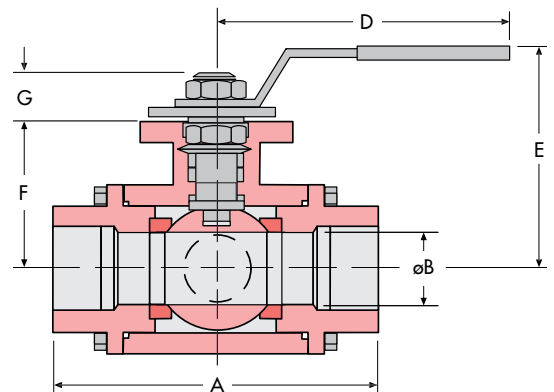
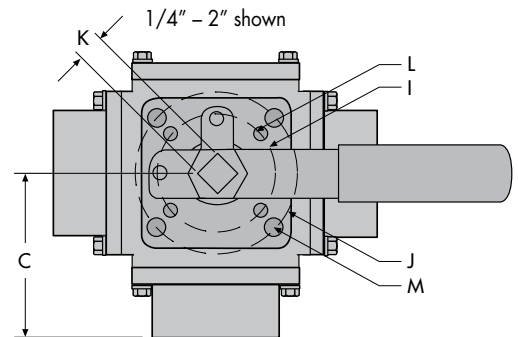
## Weight Models MPT/MPS/MPB – 230 (L Port)

Size ins mm	1/4 8	3/8 10	1/2 15	3/4 20	1 25	1 1/4 32	1 1/2 40	2 50	2 1/2 65	3 80	4 100
lbs	2.9	2.9	4.5	5.8	8.2	12.1	18.6	33.9	45.6	60.3	109.7
kg	1.3	1.3	2.0	2.6	3.7	5.5	8.4	15.4	20.7	27.3	49.7

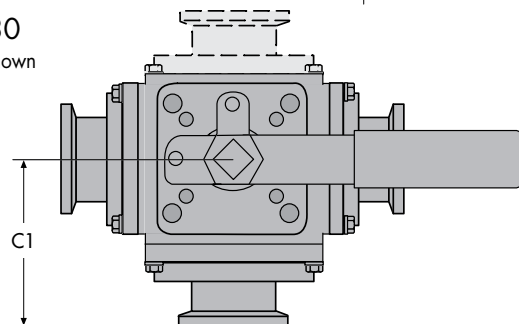
## Weight Model MPC230 (L Port)

Size ins mm	1/4 8	3/8 10	1/2 15	3/4 20	1 25	1 1/4 32	1 1/2 40	2 50	2 1/2 65	3 80	4 100
lbs	—	—	3.0	5.9	9.6	—	18.9	33.8	44.6	58.1	105
kg	—	—	1.4	2.7	4.4	—	8.6	15.3	20.3	26.4	47.6

### MPT/MPS/MPB – 230 \*



MPC230  
1/2" – 2" shown



For detailed drawing information on other valve sizes not shown, consult the factory for Multiport IOM manual.

# Dimensions



## Models MPF150/MPF300

MPF150 Flange Dimensions    MPF300 Flange Dimensions

Size ins mm	A 150	A1 300	øB	D	E	F	G	øH	øI*	J	K	L*	M	N	S	T	M1	N1	S1	T1
1/2 15	5.98 152	6.30 160	0.59 15	5.12 130	2.44 62	1.61 41	0.43 11	1.42 36	1.65 42	0.35 9	0.24 6	0.24 6	3.50 89	4	2.38 60.5	0.63 16	3.75 95	4	2.62 66.5	0.63 16
3/4 20	6.57 167	6.97 177	0.79 20	6.50 165	3.23 82	1.93 49	0.55 14	1.65 42	1.97 50	0.43 11	0.24 6	0.28 7.1	3.88 98.5	4	2.75 69.8	0.63 16	4.62 117	4	3.25 82.5	0.75 19
1 25	7.48 190	7.87 200	0.98 25	6.50 165	3.50 89	2.17 55	0.55 14	1.65 42	1.97 50	0.43 11	0.24 6	0.28 7.1	4.25 108	4	3.12 79.2	0.63 16	4.88 124	4	3.50 89	0.75 19
1 1/4 32	8.19 208	8.19 208	1.26 32	8.07 205	3.86 98	2.48 63	0.71 18	1.97 50	2.76 70	0.55 14	0.28 7.1	0.36 9.2	4.62 117	4	3.50 89	0.63 16	5.25 133	4	3.88 98.5	0.75 19
1 1/2 40	8.66 220	9.21 234	1.50 38	8.07 205	4.25 108	2.91 74	0.71 18	1.97 50	2.76 70	0.55 14	0.28 7.1	0.36 9.2	5.00 127	4	3.88 98.5	0.63 16	6.12 155	4	4.50 114	0.87 22
2 50	9.96 253	10.75 273	1.97 50	12.80 325	5.51 140	3.66 93	0.91 23	2.76 70	4.02 102	0.67 17	0.36 9.2	0.45 11.4	6.00 152	4	4.75 120.6	0.75 19	6.50 165	8	5.00 127	0.75 19
2 1/2 65	11.81 300	11.81 300	2.44 62	15.75 400	7.87 200	4.69 119	0.98 25	4.02 102	—	0.87 22	0.43 11	—	7.00 177.8	4	5.50 139.7	0.75 19	7.50 190.5	8	5.88 149.4	0.88 22.4
3 80	12.01 305	13.01 330.4	2.99 76	19.69 500	8.27 210	5.39 137	0.98 25	4.02 102	—	0.87 22	0.43 11	—	7.50 190.5	4	6.00 152.4	0.75 19	8.25 209.6	8	6.62 168.2	0.88 22.4
4 100	14.51 368.5	15.49 393.5	3.78 96	25.59 650	9.06 230	6.18 157	0.98 25	4.02 102	—	0.87 22	0.43 11	—	9.00 228.6	8	7.50 190.5	0.75 19	10.00 254	8	7.88 200.2	0.88 22.4
6 150	16.81 427	18.43 468.1	5.91 150	47.24 1200	8.66 220	6.28 159.5	2.40 61	4.92 125	—	1.42 36	M12	—	11.00 279.4	8	9.50 241.3	0.88 22.4	12.50 317.5	12	10.62 269.8	0.88 22.4
8 200	20.94 532	—	7.87 200	59.06 1500	10.31 262	7.91 201	2.40 61	4.92 125	—	1.42 36	M12	—	13.50 342.9	8	11.75 298.5	0.88 22.4	15.00 381	12	13.00 330.2	1.00 25.4

\*Outer mounting bolt circle (I) and hole diameter (L) for 1/2"–2" valves not shown in drawing.

## Torque Models MPF150/MPF300

Size ins mm	1/2 15	3/4 20	1 25	1 1/4 32	1 1/2 40	2 50	2 1/2 65	3 80	4 100	6 150	8 200
lbs-in	124	159	301	381	513	885	1239	2213	2830	6000	8000
Nm	14	18	34	43	58	100	140	250	320	678	904

Torque at maximum rated pressure, clean water, PTFE seating material.

## Cv Models MPF150/MPF300

Size ins mm	1/2 15	3/4 20	1 25	1 1/4 32	1 1/2 40	2 50	2 1/2 65	3 80	4 100	6 150	8 200
90°	8.1	15	24	40	65	106	171	255	409	1083	2007
180°	11	21	33	54	92	147	240	356	561	1509	2817

## Weight Model MPF150 (4-Way, T Port)

Size ins mm	1/2 15	3/4 20	1 25	1 1/4 32	1 1/2 40	2 50	2 1/2 65	3 80	4 100	6 150	8 200
lbs	8.7	10.3	14.9	20.8	30.3	51.3	70.1	88.4	160.5	290.4	543.0
Kg	3.9	4.7	6.7	9.4	13.7	23.3	31.8	40.1	72.8	131.7	246.3

## Weight Model MPF300 (4-Way, T Port)

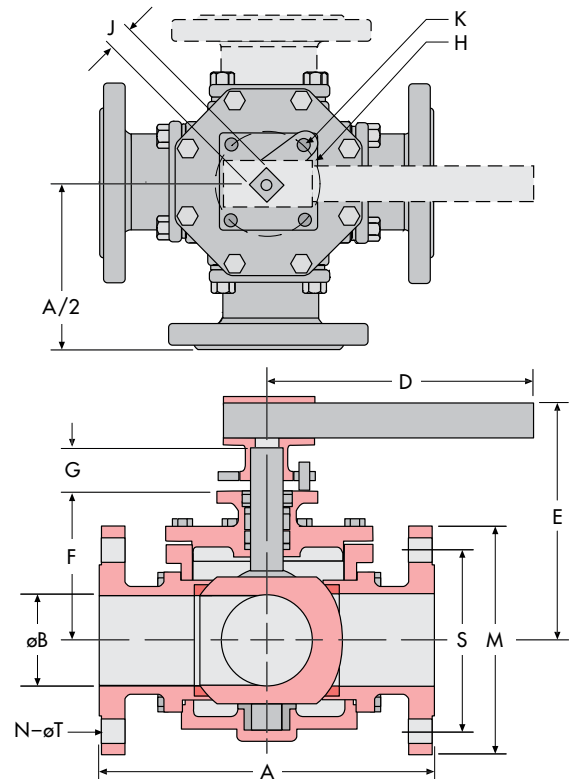
Size ins mm	1/2 15	3/4 20	1 25	1 1/4 32	1 1/2 40	2 50	2 1/2 65	3 80	4 100	6 150
lbs	11.2	16	21.8	29.1	42.9	61.0	86.4	108.3	184.2	456.2
Kg	5.1	7.3	9.9	13.2	19.5	27.7	39.2	49.1	83.6	206.9

Consult factory for 10" and 12" Models MPF150/MPF300 valve data.

For detailed drawing information on other valve sizes not shown, consult the factory for Multiport IOM manual.

## MPF150/MPF300

2-1/2" – 4" shown



# Flow-Tek

A Subsidiary of BRAY INTERNATIONAL, Inc.  
 8323 N. Eldridge Pkwy #100 Houston, Texas 77041  
 832.912.2300 Fax: 832.912.2301  
 www.flow-tek.com

All statements, technical information, and recommendations in this bulletin are for general use only. Consult Flow-Tek representatives or factory for the specific requirements and material selection for your intended application. The right to change or modify product design or product without prior notice is reserved.

Flow-Tek® is a registered trademark of Flow-Tek, Inc.  
 © 2009 Flow-Tek, Inc.  
 F-2500\_EN\_MPV\_2009-08