



TITAN FLOW CONTROL, INC.

SILENT CHECK VALVES ♦ THREADED ENDS

ANSI CLASS 300 ♦ STAINLESS STEEL

MODEL: CV 80-SS

STAINLESS STEEL BODY WITH PTFE SEAT
3/8" TROUGH 3"

FEATURES

- ◇ IN-LINE, SPRING ASSISTED DISC DESIGNED TO PROTECT THE SYSTEM FROM THE NEGATIVE EFFECTS OF WATER HAMMER
- ◇ CAN BE INSTALLED IN ANY POSITION (HORIZONTAL OR VERTICAL WITH UPWARD FLOW) - CONSULT FACTORY FOR VERTICAL POSITIONING WITH DOWNWARD FLOW
- ◇ SOFT SEAT (PTFE) ENSURES BUBBLE-TIGHT SHUTOFF
- ◇ LOW CRACKING PRESSURE (.25 PSI) THAT IS DESIGNED TO FULLY OPEN AT 1.0 PSI DIFFERENTIAL
- ◇ HEX ENDS PERMIT EASY AND QUICK INSTALLATION
- ◇ MEETS OR EXCEEDS API 598 LEAKAGE REQUIREMENTS
- ◇ LONG STEM GUIDE ENSURES EXCELLENT CENTERING AND SMOOTH CLOSURE
- ◇ HIGHLY ECONOMICAL AND RELIABLE INVESTMENT CASTING THAT PROVIDES LONG SERVICE LIFE FOR WIDE A VARIETY OF APPLICATIONS



TECHNICAL

PRESSURE/TEMPERATURE RATING FOR CF8M CLASS 300

WOG: 720 PSI @ 100 °F
MAX LIQUID: CONSULT FACTORY ⁽¹⁾
MAX STEAM: NOT RECOMMENDED

SEAT MATERIAL

PTFE: -100 ~ 400 °F

1. Inconel spring must be used for high temperature applications.

APPLICATIONS

MARKETS: OIL AND GAS PRODUCTION, GENERAL INDUSTRY, CHEMICAL, PETROCHEMICAL, POWER, FOOD AND BEVERAGE.

SERVICE: CHEMICAL/STEAM/NITROGEN LINES, GAS INJECTION, CONDENSATE RECOVERY, PUMP & COMPRESSOR DISCHARGE, PUMP JACK FLOW LINES, CHILLER & BOILER FEED

PTFE: RECOMMENDED FOR MOST CHEMICAL ENVIRONMENTS INCLUDING ACIDS, BASE, OILS, STEAM AND OTHER PROCESS FLUIDS. OFFERS EXCELLENT TEAR, ABRASIVE, CHEMICAL, ACID, AND ALKALI RESISTANCE. NOT RECOMMENDED FOR HIGH PRESSURE STEAM OR LARGE TEMPERATURE VARIATION APPLICATIONS

The above data represents common market and service applications. No representation or guarantee, expressed or implied, is given due to the numerous variations of concentrations, temperatures and flow conditions that may occur during actual service.

TITAN FLOW CONTROL, INC.

SERVICE ♦ QUALITY ♦ COMMITMENT

Tel: 910-735-0000 ♦ Fax: 910-738-3848 ♦ titan@titanfci.com ♦ www.titanfci.com
290 Corporate Drive ♦ PO Box 7408 ♦ Lumberton, NC 28358



TITAN FLOW CONTROL, Inc.
 290 Corporate Drive
 Lumberton, NC 28358
 Tel: 910.735.0000
 Fax: 910.738.3848
 E-mail: titan@titanfci.com
 Web: www.titanfci.com

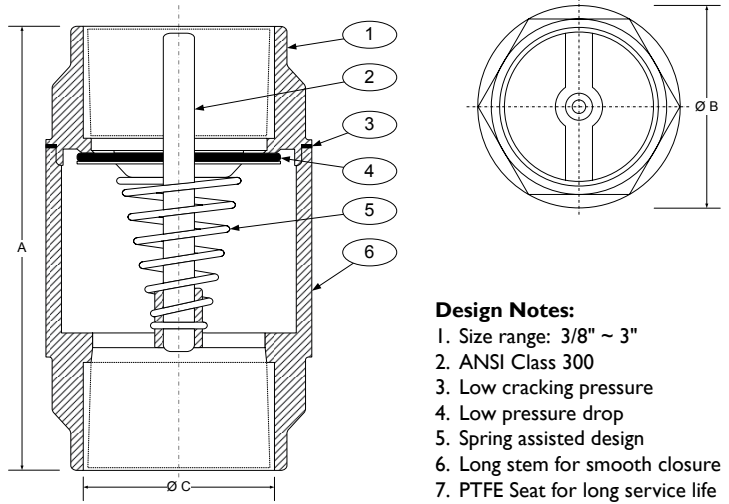
IN-LINE • SILENT CHECK VALVE
CENTER GUIDED • THREADED ENDS
MODEL: CV 80-SS

ANSI Class
 300 lb

Stainless Steel Body • PTFE Seat and Gasket

BILL OF MATERIALS ⁽¹⁾		
No.	PART	MATERIAL
1	CAP	ASTM A351 Gr. CF8M Stainless Steel
2	STEM	ASTM A351 Gr. CF8M Stainless Steel
3	GASKET ⁽²⁾	PTFE
4	SEAT	PTFE
5	SPRING	Type 316 Stainless Steel
6	BODY	ASTM A351 Gr. CF8M Stainless Steel

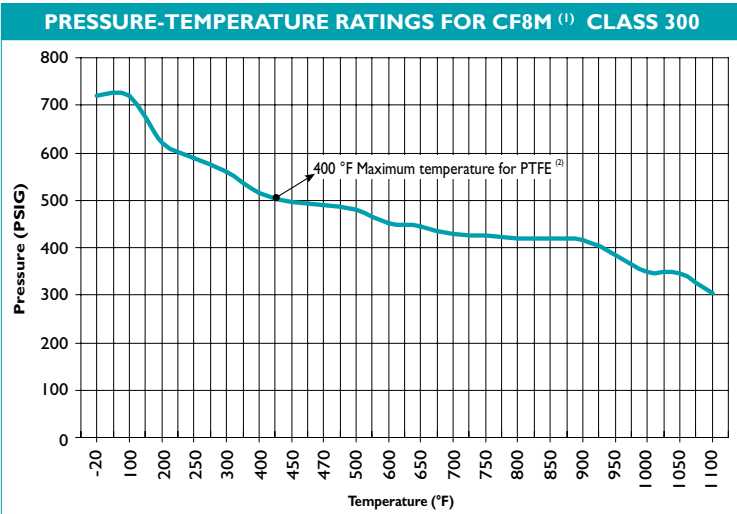
- Notes:**
- Bill of Materials represents standard materials. Equivalent materials may be substituted at the manufacturer's discretion.
 - Denotes recommended spare parts.



- Design Notes:**
- Size range: 3/8" ~ 3"
 - ANSI Class 300
 - Low cracking pressure
 - Low pressure drop
 - Spring assisted design
 - Long stem for smooth closure
 - PTFE Seat for long service life

DIMENSIONS AND PERFORMANCE DATA										
SIZE	in	3/8	1/2	3/4	1	1 1/4	1 1/2	2	2 1/2	3
	mm	10	15	20	25	32	40	50	65	80
A DIMENSION FACE TO FACE	in	2.086	2.204	2.480	2.913	3.188	3.582	3.818	C/F	C/F
	mm	53	56	63	74	81	91	97	C/F	C/F
ØB DIMENSION OUTSIDE DIAMETER	in	.905	1.181	1.377	1.614	2.165	2.440	3.228	C/F	C/F
	mm	23	30	35	41	55	62	82	C/F	C/F
ØC DIMENSION INSIDE DIAMETER	in	.669	.826	1.023	1.259	1.614	1.850	2.322	C/F	C/F
	mm	17	21	26	32	41	47	59	C/F	C/F
ASSEMBLED WEIGHT	lb	.1	.2	.3	1	1.5	2.5	3.5	C/F	C/F
	kg	.05	.1	.1	.5	.7	1.1	1.6	C/F	C/F
Flow Coefficient	C _v	C/F	7	14	20	40	40	80	C/F	C/F
Cracking Pressure	psi	.25	.25	.25	.25	.25	.25	.25	C/F	C/F

Dimensions and weights are for reference only. When required, request certified drawings.



- Pressure-Temperature ratings in accordance with ASME/ANSI B16.34-1996.
- 400 °F maximum operating temperature for PTFE.

REFERENCED STANDARDS & CODES	
CODE	DESCRIPTION
ANSI B1.1	Unified Inch Screw Threads
ANSI B1.20.1	Pipe Threads - General Purpose
ANSI B16.34	Valves - Flanged, Threaded & Welding Ends
ASTM A351 GR CF8M	Austenitic Steel Castings

PRESSURE/TEMP RATING
CV 80-SS (CF8M)

WOG (Water, Oil, Gas): 720 PSI @ 100 °F
 MAX LIQUID: Consult Factory ⁽¹⁾
 MAX STEAM: Not Recommended

SEAT MATERIAL

PTFE: -100 ~ 400 °F

- Inconel spring must be used for high temperature applications.

Ordering Code: _____ Size: _____
 Customer/Project: _____
 Inq./P.O. No.: _____
 Titan Order No.: _____
 Certified By: _____ Date: _____



TITAN FLOW CONTROL, INC.
 Engineering Specification Submittal

In-line - Centered Guide - Silent Check Valve • Model: CV 80-SS

Size	Model Number	Description	Drawing Number