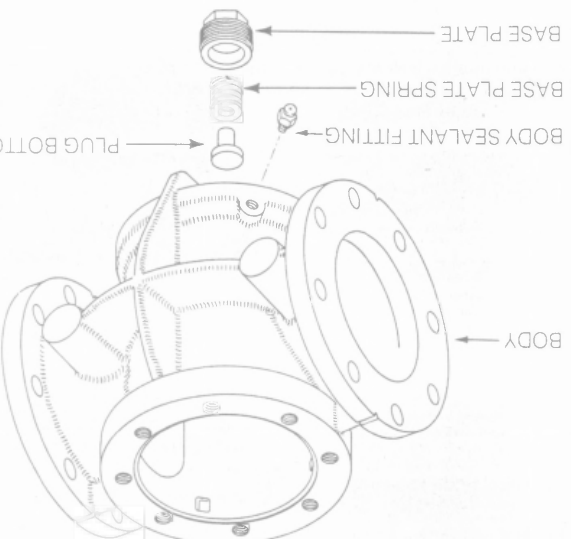
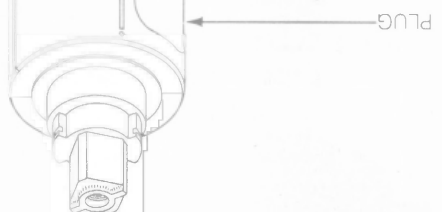
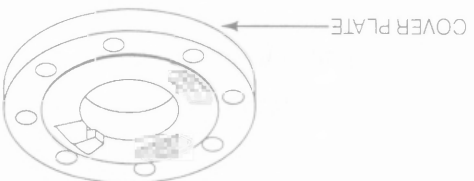
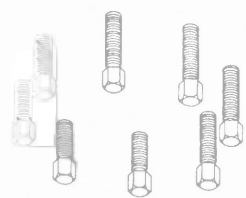


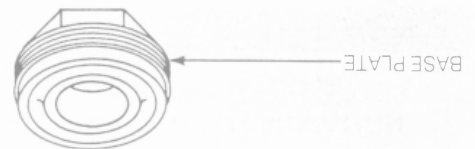
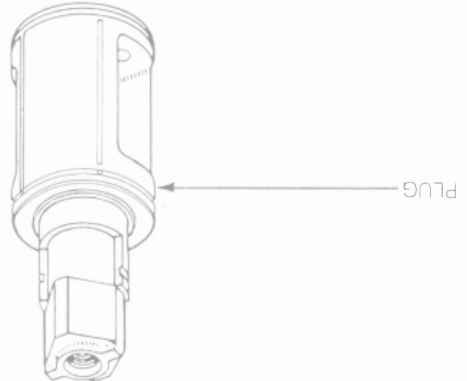
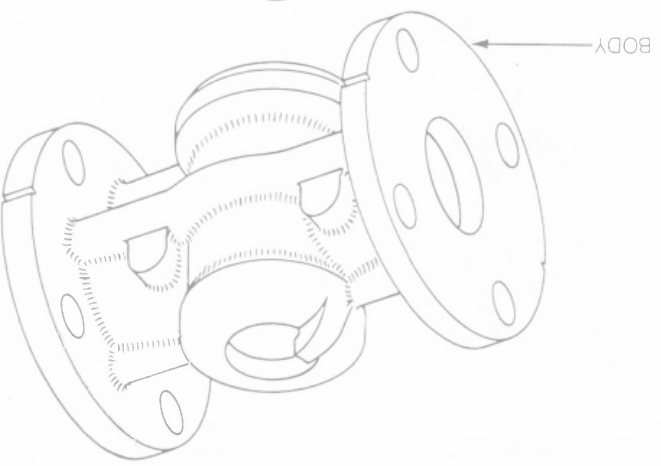
**STRAIGHTWAY VALVE
TOP ENTRY CONSTRUCTION**

Wrench Operated



**STRAIGHTWAY VALVE
BOTTOM ENTRY CONSTRUCTION**

Wrench Operated



DIMENSIONAL DATA—Regular Opening, Rectangular Port Valves

Fig. R-1430—200 PSI WOG 400 PSI TEST—125 PSI SWP 1"-4" Threaded Wrench Operated



This valve (Fig. R-1430) approved by Underwriters Laboratories Inc. for 175 psi working pressure for use in natural and manufactured gases. When ordered to UL specifications, valve will bear proper UL insignia.

ALL SIZES IN INCHES K=CLEARANCE TO REMOVE SEALANT SCREW L=DIAMETER OF SEALANT STICK

SIZE	% OF FULL PIPE AREA	A	G	H	J	K	L	M	N	WRENCH WT. (LB.)
1/8"	3%	287	3%	1"	2 1/2"	5 3/8"	1 1/8"	1 1/8"	1 1/8"	4
1/4"	3%	164	3%	1"	2 1/2"	5 3/8"	1 1/8"	1 1/8"	1 1/8"	4
1"	100	100	3%	3 3/8"	1 1/8"	5 3/8"	1 1/8"	1 1/8"	1 1/8"	4
1 1/2"	70	70	5	5	3 3/8"	5 3/8"	1 1/8"	1 1/8"	1 1/8"	5
2"	60	60	4	4	3 3/8"	5 3/8"	1 1/8"	1 1/8"	1 1/8"	6
2 1/2"	73	73	5 1/2"	4 1/2"	3 3/8"	5 3/8"	1 1/8"	1 1/8"	1 1/8"	9
3"	66	66	7 1/2"	5 1/2"	3 3/8"	5 3/8"	1 1/8"	1 1/8"	1 1/8"	15
4"	61	61	9	6 1/2"	4 1/2"	5 3/8"	1 1/8"	1 1/8"	1 1/8"	21

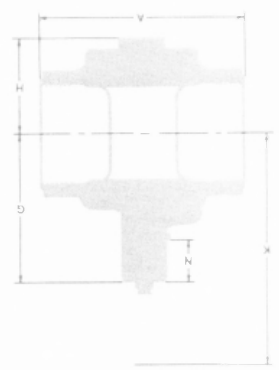
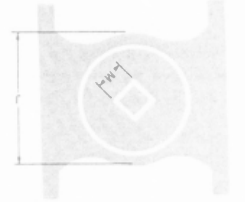
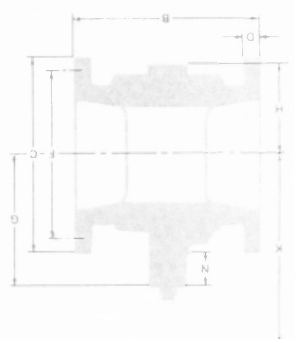
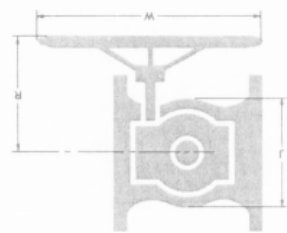
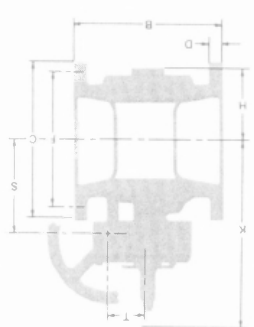


Fig. R-1431—Wrench Operated 200 PSI WOG 400 PSI TEST—125 PSI SWP 1"-12" Flanged Short Pattern



This valve (Fig. R-1431) approved by Underwriters Laboratories Inc. in sizes 1" through 4" for 175 psi working pressure and size 6" for 200 psi working pressure for use in natural and manufactured gases. When ordered to UL specifications, valve will bear proper UL insignia.



ALL SIZES IN INCHES E=NO. AND SIZE OF BOLTS F=DIAMETER OF BOLT CIRCLE K=CLEARANCE TO REMOVE SEALANT SCREW L=DIAMETER OF SEALANT STICK

SIZE	% OF FULL PIPE AREA	WRENCH OPERATED										WORM GEAR OPERATED									
		A	B	C	D	E	F	G	H	J	L	WT.	K	R	S	T	W				
1	100	100	5 1/2"	4 1/4"	4 1/4"	3 3/8"	3 3/8"	3 3/8"	3 3/8"	3 3/8"	3 3/8"	1 1/8"	1 1/8"	1 1/8"	1 1/8"	1 1/8"	6				
2	70	70	6 1/2"	5 1/2"	5 1/2"	4 1/4"	4 1/4"	4 1/4"	4 1/4"	4 1/4"	4 1/4"	1 1/8"	1 1/8"	1 1/8"	1 1/8"	10					
2 1/2"	73	73	7 1/2"	6 1/2"	6 1/2"	5 1/2"	5 1/2"	5 1/2"	5 1/2"	5 1/2"	5 1/2"	1 1/8"	1 1/8"	1 1/8"	1 1/8"	20					
3	66	66	8	7 1/2"	7 1/2"	6 1/2"	6 1/2"	6 1/2"	6 1/2"	6 1/2"	6 1/2"	1 1/8"	1 1/8"	1 1/8"	1 1/8"	28					
4	61	61	9	8 1/4"	8 1/4"	7 1/2"	7 1/2"	7 1/2"	7 1/2"	7 1/2"	7 1/2"	1 1/8"	1 1/8"	1 1/8"	1 1/8"	38					
5	66	66	10	9 1/4"	9 1/4"	8 1/4"	8 1/4"	8 1/4"	8 1/4"	8 1/4"	8 1/4"	1 1/8"	1 1/8"	1 1/8"	1 1/8"	66					
6	46	46	10 1/2"	10 1/2"	10 1/2"	9 1/4"	9 1/4"	9 1/4"	9 1/4"	9 1/4"	9 1/4"	1 1/8"	1 1/8"	1 1/8"	1 1/8"	96					
8	40	40	11 1/2"	11 1/2"	11 1/2"	10 1/2"	10 1/2"	10 1/2"	10 1/2"	10 1/2"	10 1/2"	1 1/8"	1 1/8"	1 1/8"	1 1/8"	158					
10	42	42	13	12 1/2"	12 1/2"	11 1/2"	11 1/2"	11 1/2"	11 1/2"	11 1/2"	11 1/2"	1 1/8"	1 1/8"	1 1/8"	1 1/8"	248					
12	40	40	14	13 1/2"	13 1/2"	12 1/2"	12 1/2"	12 1/2"	12 1/2"	12 1/2"	12 1/2"	1 1/8"	1 1/8"	1 1/8"	1 1/8"	387					

Values interchange with API Pipeline Valve Standard 6-D, 175 PSI class, and with ANSI 125 PSI SWP Cast Iron Flanged Wedge Gate Valves (Std. B16.10). Flanges are drilled to ANSI 125 PSI Cast Iron Flange Standard unless otherwise specified. No deduction for valves faced only. Bolt holes are for through bolts and drilled 1/8" larger than bolts. Sizes 1" through 8" equipped as standard with stainless steel baseplate springs. Inconel springs available on special order for sour gas or sour oil service.